



**Prevue Pet Products, Inc.**

www.prevuepet.com

## 3151Blk/W/Coco/Sage Aviary Assembly Instructions

### CAGE COMPONENTS

1 Front Panel			1 Hex-Head Wrench
1 Back Panel	1 Wire Roof Section	2 Wooden Perches	1 Wire Grill Safe-Clip
2 Side Frames	1 Wire Grill	1 Seed Guard Set	4 Stainless Steel Feeders
2 Wire Side Panels	2 Metal Sliding Trays	4 Rolling Casters	1 Bag Assorted Steel Nuts/ Bolts

**Prevue Pet Products, Inc.**

224 N. Maplewood Avenue. Chicago, IL 60612

312-243-3624 800-243-3624

customerservice@prevuepet.com



10 Nuts



6 Screws 3/8"  
Flat / Phillips Head



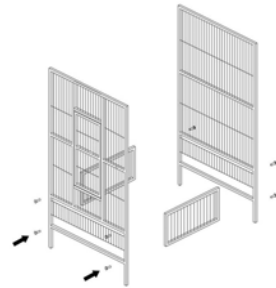
9 Screws 1-1/4"



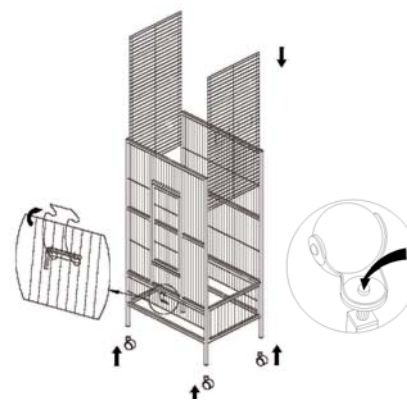
14 Screws 5/16"  
Hex Head



1 Allen Wrench



**Step 1:**  
Put the 2 Side Frames into Front and Back panel, and secure with steel screws.



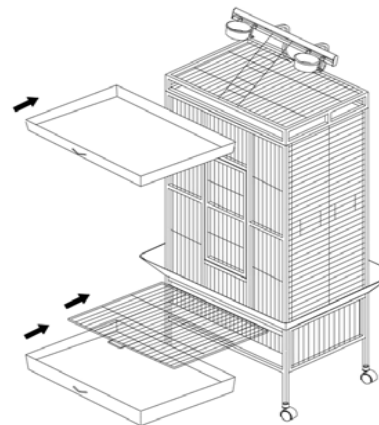
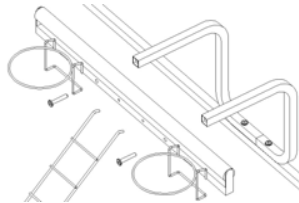
**Step 2:**

- (1) Slide 2 Wire Side Panels into the 2 Side Frames.
- (2) Attach the grill safe-clip onto the horizontal "short-wire" provided on the bottom of the cage front panel. (Note - the safe-clip prevents the grill from being pushed out by larger, more aggressive birds).
- (3) Attach 4 Rolling Casters into each of the legs.



**Step 3:**

- (1) Fit together 2 halves of U-bar.
- (2) Secure entire U-bar assembly to the back of the playtop frame with steel screws and nuts. Use the screws on the curved "bottom" of the U-bar assembly and attach it so the two ends are facing the front of the cage.
- (3) Screw on the support bar with the food/water cup holders & perch holder. The bar screws on to the front of the U-bar assembly, so the perch holder is slightly above the U-bar assembly. Insert one end of ladder into front of U-bar assembly and the other end into the two small holes on the front of the playtop frame.



**Step 4:**

- (1) Fit the Wire Roof Section into 4 holes provided in Front and Back Panel, and secure with steel Nuts.
- (2) Slide Wire Grill and Metal Trays into place as shown.
- (3) Put Feeders and Perches into position.



**Step 5:**

Push Safe-Clip to the handle provided in Wire Grill as shown.  
Now, your new aviary is ready to use.